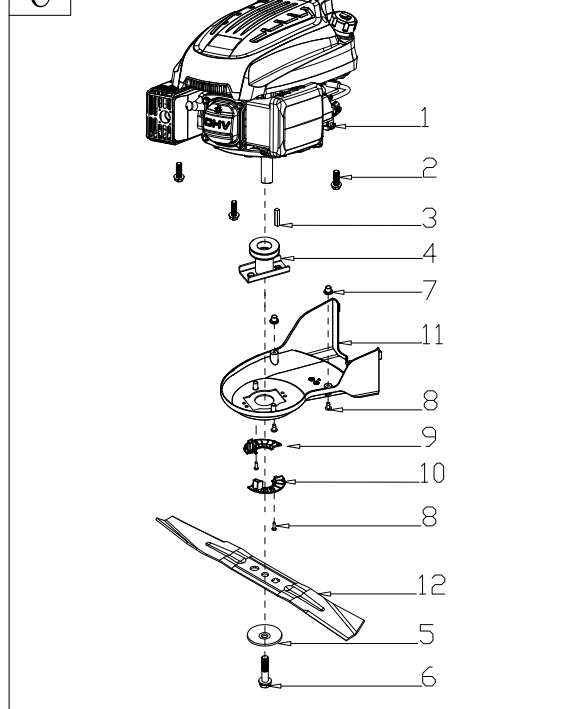
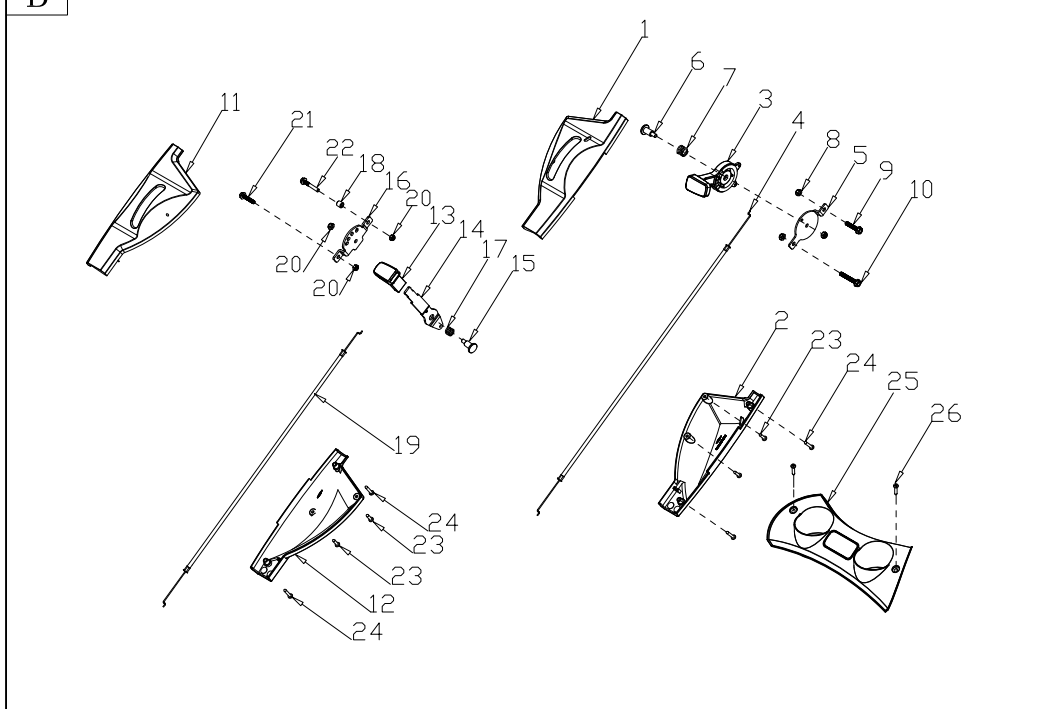
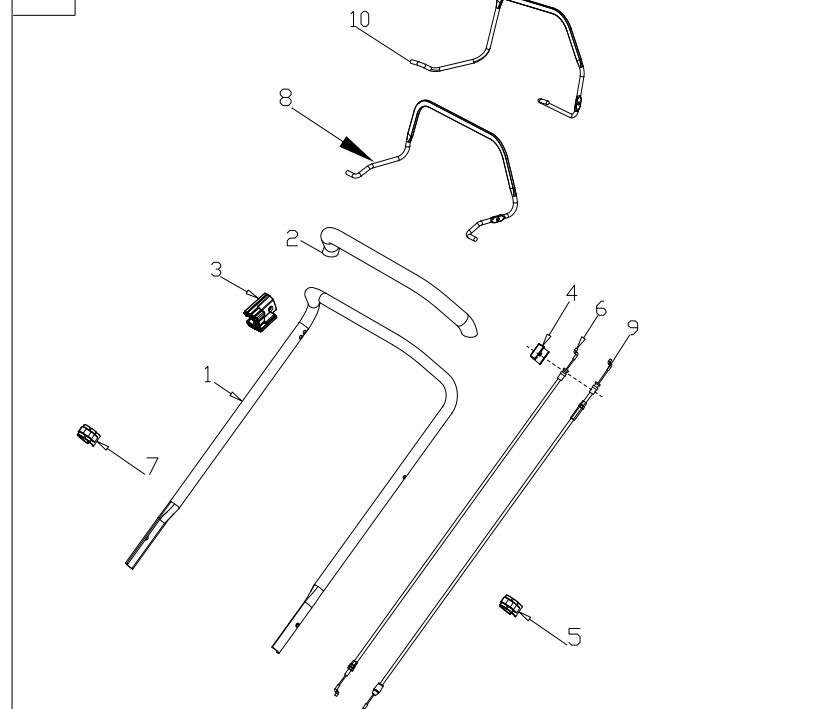
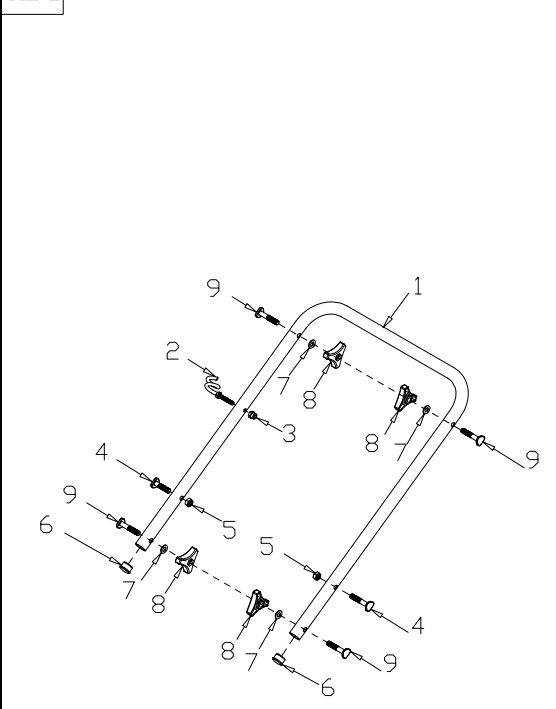


AB1

AA1

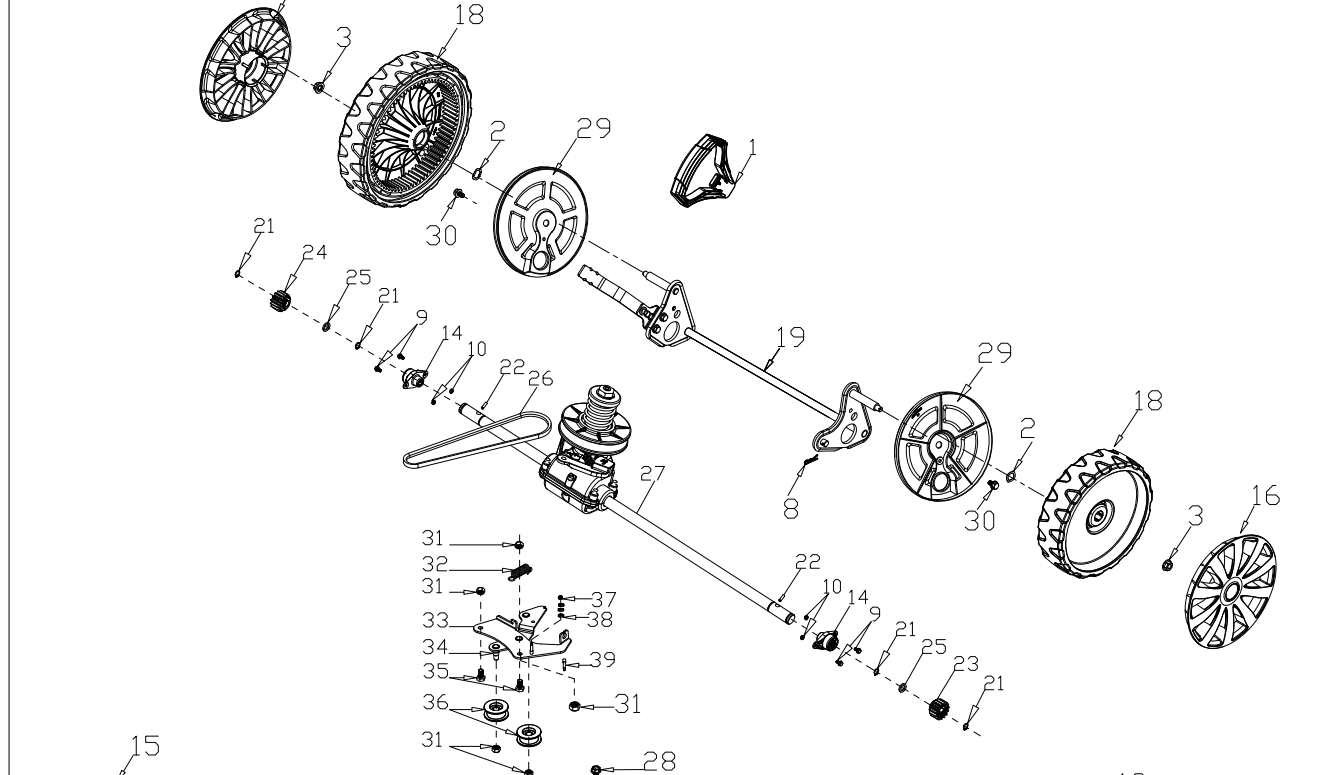
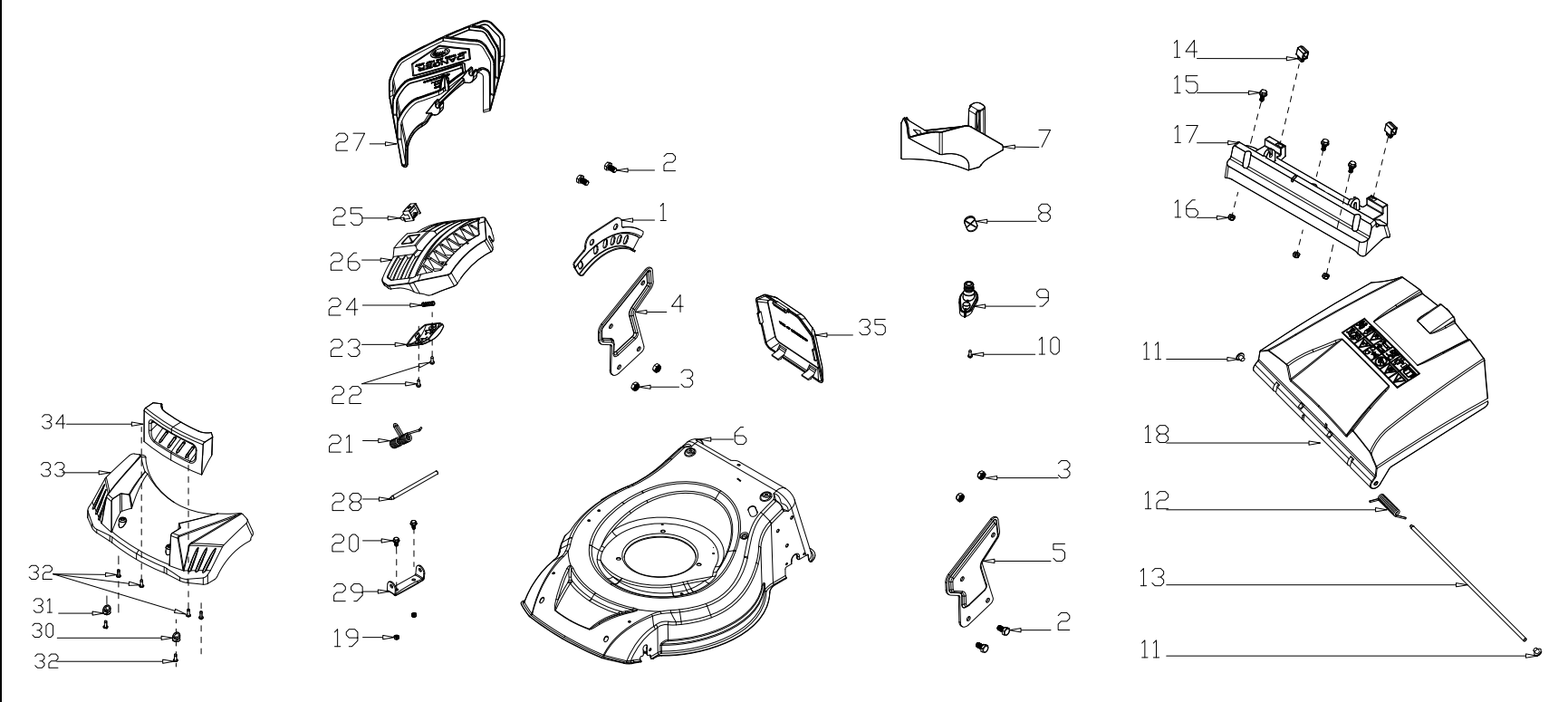
B

C

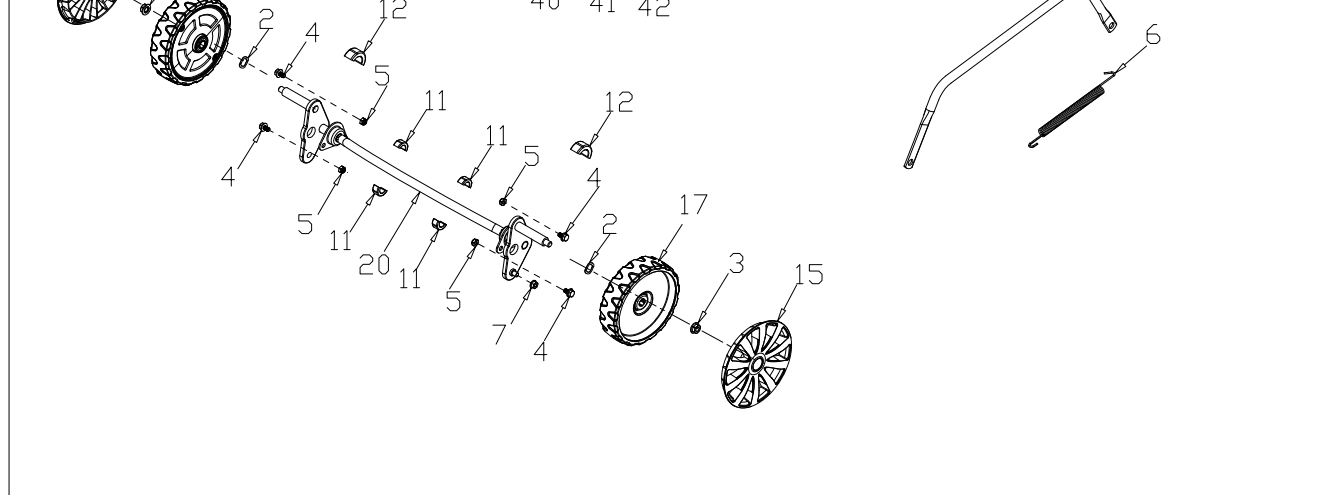
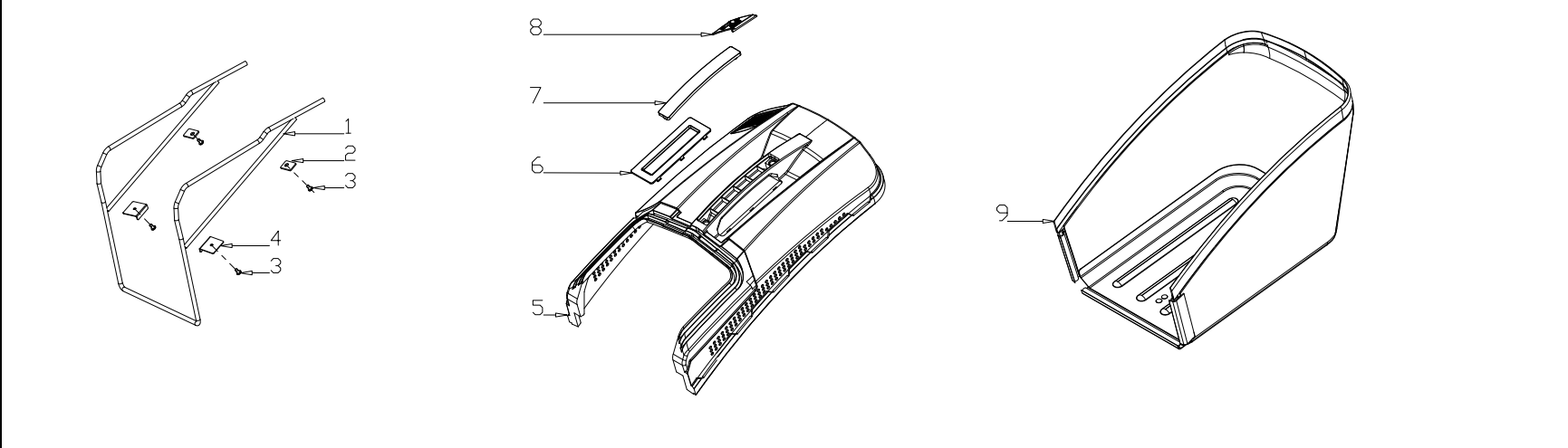


D

E



F



No.	Part name	Qty
AA1-1	F-Type Armrest Box Armrest	1
AA1-2	Armrest Foam Tube (Tear-Resistant), Fine-Textured	1
AA1-3	Switch Limit Stop	1
AA1-4	Cable Retaining Clip (New)	1
AA1-5	Power Cable Clamp	1
AA1-6	Y3 Kill Cable	1
AA1-7	Power Cable Clamp	1
AA1-8	E-Type Kill Lever (2019)	1
AA1-9	Type C Self-Tensioning Cable (New)	1
AA1-10	Type H Self-Tensioning Wrench (Flattened, 2015)	1
AB1-1	Type F Lower Armrest	1
AB1-2	Starter Hook Assembly (Ball Joint)	1
AB1-3	Cap Nut	1
AB1-4	Special-Shaped Carriage Bolt	2
AB1-5	Type II Non-Metallic Insert Hex Lock Nut	2
AB1-6	Armrest End Cap	2
AB1-7	Flat Washer Grade C	4
AB1-8	Type A Rotary Knob	4
AB1-9	Special-Shaped Carriage Bolt	4
B-1	Left Armrest Box Upper Cover	1
B-2	Left Armrest Box Lower Cover	1
B-3	Control Lever	1
B-4	Choke Cable	1
B-5	Gear Selector Retaining Plate Assembly	1
B-6	Gear Selector Step Bolt	1
B-7	Gear Selector Compression Spring	1
B-8	Type II Non-metallic Insert Hex Lock Nut	3
B-9	Hex Flange Bolt	1
B-10	Hex Flange Bolt	1
B-11	Right Armrest Box Upper Cover (2016)	1
B-12	Right Armrest Box Lower Cover (2016)	1
B-13	Shift Lever	1
B-14	Shift Lever Rod Assembly (Short)	1
B-15	Gear Step Bolt	1
B-16	Gear Selector Retaining Plate	1
B-17	Gear Selector Compression Spring	1
B-18	Bushing	1
B-19	G51S Shift Cable	1
B-20	Type II Non-metallic Insert Hex Lock Nut	3
B-21	Hex Flange Bolt	1
B-22	Hex Flange Bolt	1
B-23	Phillips Pan-Head Self-Tapping Screw	4
B-24	Phillips Pan-Head Self-Tapping Screw	4
B-25	Handrail Box Panel	1
B-26	Phillips Pan-Head Self-Tapping Screw	2
C-1	Y196V Euro 5 Gasoline Engine (Old Camshaft) – Forged Steel Crankshaft	1
C-2	Hex Flange Bolt	3
C-3	Flat Key	1
C-4	Large Pulley Blade Holder Assembly	1
C-5	Large Blade Spacer	1
C-6	Blade Bolt	1
C-7	Screw Cap	2
C-8	Phillips Pan-Head Self-Tapping Screw	4
C-9	Belt Guard Cover Plate 1 (2024)	1
C-10	Belt Guard Cover Plate 2 (2024)	1
C-11	G53 Belt Guard (2016)	1
C-12	21-inch Blade (Engraved with HYUNDAI)	1
C-13	D-Shaped Cover (2016)	1
C-14	Phillips-head self-tapping screw	2

C-15	Fuel filter hose	1
C-16	Hose clamp I	1
D-1	High-wheel height adjustment plate	1
D-2	Hex head bolt	4
D-3	Coarse-threaded hex flange lock nut with non-metallic insert	4
D-4	G48 right bracket (two-hole mounting)	1
D-5	G48 left bracket (two-hole mounting)	1
D-6	G53SL-FV chassis assembly (service window)	1
D-7	Type B grass plug	1
D-8	Cable Clamp	1
D-9	G53 Cleaning Quick Coupling Assembly	1
D-10	Phillips Pan-Head Self-Tapping Screw	1
D-11	Rear Grass Cover Shaft Plug	2
D-12	Rear Grass Cover Torsion Spring	1
D-13	Rear Grass Cover Shaft	1
D-14	Rear Grass Cover Support Pin	2
D-15	Hex Flange Bolt	3
D-16	Type II Non-metallic Insert Hex Lock Nut	3
D-17	Rear Grass Cover Base	1
D-18	Rear Grass Cover (New)	1
D-19	Type II Non-metallic Insert Hex Lock Nut	2
D-20	Hex Flange Bolt	2
D-21	Grass Deflector Torsion Spring (2015)	1
D-22	Phillips Pan-Head Self-Tapping Screw	2
D-23	Latch Cover Plate (2018)	1
D-24	Latch Compression Spring	1
D-25	Cover Plate Latch (2025)	1
D-26	G48 Side Discharge Cover Plate (2018)	1
D-27	G48 Side Discharge Grass Guide Plate	1
D-28	Grass Deflector Shaft	1
D-29	G53 Side Discharge Bracket	1
D-30	Front Panel Spacer L	1
D-31	Front Panel Spacer R	1
D-32	Phillips Pan-Head Self-Tapping Screw	6
D-33	C-Type Plastic Front Panel	1
D-34	C-Type Plastic Front Panel Handle	1
D-35	Service Window Cover	1
E-1	Type A Height Adjustment Handle	1
E-2	Corrugated Spring Washer	4
E-3	Metal-Insert Flange Lock Nut	4
E-4	Hex Flange Bolt	4
E-5	Type II Non-Metal-Insert Hex Lock Nut	4
E-6	Height Adjustment Tension Spring (New)	1
E-7	Metal-Insert Flange Lock Nut	1
E-8	Open-End Pin	1
E-9	Hex Flange Bolt	4
E-10	Type II Non-Metal-Insert Hex Lock Nut	4
E-11	Front Drive Half-Shaft Sleeve	4
E-12	G48 Front-Drive Bushing	2
E-13	G53 High-Wheel Height-Adjustment Link	1
E-14	Self-Propelled Rear-Drive Fixed Axle Bushing Assembly (with Bearing)	2
E-15	8-inch Wheel Type C Outer Cover	2
E-16	11-inch Wheel Type C Outer Cover	2
E-17	8-inch Type A Push Wheel Assembly (2021) with Inner Cover	2
E-18	11-inch Type A Self-Propelled Wheel Assembly (2021)	2
E-19	High-Wheel Self-Propelled Rear-Drive Assembly (2021)	1
E-20	High-Wheel Front-Drive Assembly (2021)	1
E-21	Elastic Retaining Ring for Shaft	4
E-22	8-inch Self-Propelled Ratchet Pin	2
E-23	11-inch L Self-Propelled Ratchet (15 Teeth)	1

E-24	11-inch R Self-Propelled Ratchet (15 Teeth)	1
E-25	Flat Washer	2
E-26	Notched Belt - 816	1
E-27	Aluminum Alloy Geared Self-Propelled Unit (2024)	1
E-28	Hex Flange Bolt	1
E-29	11-inch C-Type Self-Propelled Wheel Inner Cover (2021)	2
E-30	Hex Flange Bolt	2
E-31	Type II Non-metallic Insert Hex Lock Nut	5
E-32	Idler Arm Tension Spring	1
E-33	Transmission Mounting Plate Assembly (2019)	1
E-34	Idler Mounting Plate Assembly (2019)	1
E-35	Hex Head Bolt	2
E-36	Idler Assembly	2
E-37	Type II Non-metallic Insert Hex Lock Nut	1
E-38	60000-2RZ Bearing: 628/6	3
E-39	M6 Stepped Bolt (2020 Model)	1
E-40	Hex Flange Bolt	1
E-41	G51 Transmission Self-Propulsion Mounting Plate	1
E-42	Type II Non-metallic Insert Hex Lock Nut	1
F-1	70L Grass Box Metal Frame Assembly (New)	1
F-2	X42 Grass Box Metal Frame Mounting Plate	2
F-3	Phillips Slotted Pan-Head Self-Tapping Screw	4
F-4	Grass Box Metal Frame Mounting Plate	2
F-5	70L Semi-Plastic Grass Box Top Cover (New)	1
F-6	65L Semi-Plastic Hay Bin Lid	1
F-7	Hay Bin Handle Cover (New)	1
F-8	Hay Collection Indicator Panel	1
F-9	65L-2 Hay Bin Fabric Bag Assembly (New Logo)	1